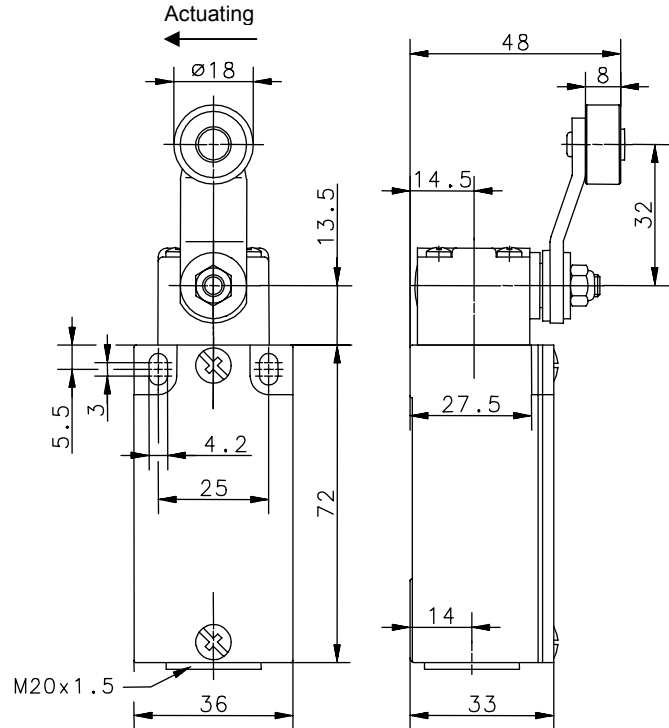
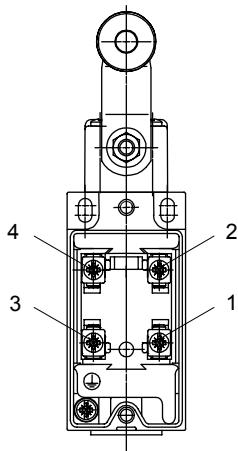
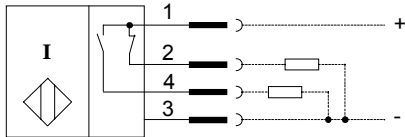


Series GC

Description **GC-PNP AHST**

Article number **6121385805**

Wiring Diagram (Inductive Proximity Switch)



Electrical data (Inductive Proximity Switch)

Rated operational voltage	U_e	12 - 48V DC
Operational voltage range	U_B	10 - 60V DC
Rated insulation voltage	U_i	75V DC
Rated impulse withstand voltage	U_{imp}	500V
Voltage drop	U_d	$\leq 2V$
Utilization category		DC-13
Rated operational current	I_e	300mA @ 70°C, 400mA @ 20°C
Minimum operational current	I_m	$\leq 1mA$
Off-state current	I_r	$< 0,1mA$
No-load supply current	I_o	$< 8,1mA$
Rated conditional short-circuit current		100A
Switching element		PNP Transistor
Short-circuit protection		pulsed
Rated supply frequency		DC
False polarity protection		protection against reverse supply polarity

Electromagnetic compatibility (EMC) (Inductive Proximity Switch)

Electromagnetic field test	IEC 61000-4-3
Electrostatic discharge test	IEC 61000-4-2
Electrical fast transient immunity test (Burst)	IEC 61000-4-4
Impulse voltage withstand ability (Surge)	IEC 255-5
Radiated disturbance field strength	EN 55011

This document will not become the contractual basis; the details included herein do not constitute any descriptions of expected conditions, so that warranties/claims for defects on account of possible variations of the actual qualities from the qualities described herein are explicitly excluded. All rights reserved. Specifications subject to change without notice!

Date of issue: 06.12.2005 / Page 1 of 2
Document: 6121385805_en / : 1 / Last update: 3021-05

Mechanical data

Enclosure	Die-cast aluminium
Cover	plate aluminium
Actuator	Lever arm housing (Zn-DG), lever and roller (St)
Operating point	40° ±5%
preset	
adjustable range	30° ... 45°
Operating torque	10Ncm
Ambient air temperature	-25°C ... +70°C
Mechanical life	10 x 10 ⁶ operating cycles
Switching frequency	≤ 100 / min.
Assembly	2 x M4
Connection	4 screw terminals (M3.5)
Conductor cross-sections	Solid: 0.5 ... 1.5mm ² Litz wire with ferrules: 0.5 ... 1.5mm ²
Cable entrance	1 x M20x1.5
Weight	≈ 0,22 kg
Installation position	Operator definable
Protection type	IP65 acc. to IEC/EN 60529

Actuation

By loosening the 4 screws the actuation assembly can be rotated in 90 degree increments such that 4 actuation directions are possible. The actuation assembly is to be again fastened to the housing using the 4 screws.

Standards

VDE 0660 T100, DIN EN 60947-1, IEC 60947-1
 VDE 0660 T200, DIN EN 60947-5-1, IEC 60947-5-1
 VDE 0660 T208, DIN EN 60947-5-2, IEC 60947-5-2

EU Conformity

CE

Notes

The degree of protection specified (IP code) applies only to a properly closed cover and the use of an equivalent cable gland with adequate cable.